

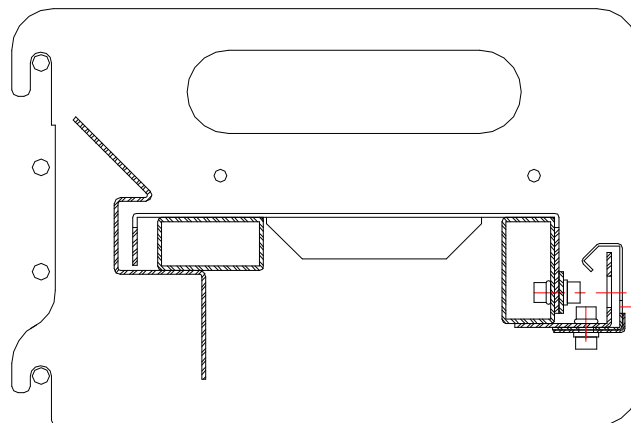
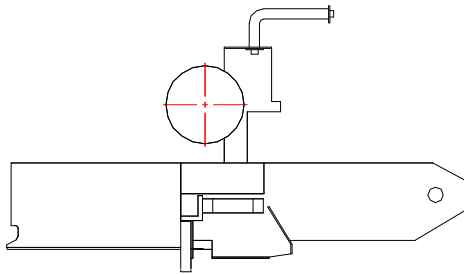


Fuji FIP, QP Feeder Shelf

**Part Number 901-320**

This storage shelf for Fuji QP, IP Feeders fit on our versatile 851M Kitting Trolley. The Kitting trolley can hold up to 3 shelves safely or can be mixed with feeder shelves of other models and reel storage shelves

**Capacity            26 Locations on 30mm Pitch**



Mossman Tebbs LLC - P.O. Box 205 - Hilton, NY 14468

585-721-8567 - fax 585-392-8998

***[mossmantebbsusa.com](http://mossmantebbsusa.com)***



Storage of Feeders on: -                   851M Kitting Trolley  
  851-07 Double sided Kitting trolley  
  915-100 Mini Kitting Trolley

**Fuji CP 6 Feeder Shelf**

Code Number                   824-280

Capacity                        40 Locations on 20mm Pitch  
  i.e.    40 – 8mm Feeders on 20mm Pitch

